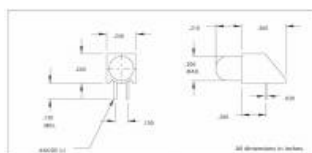




Products

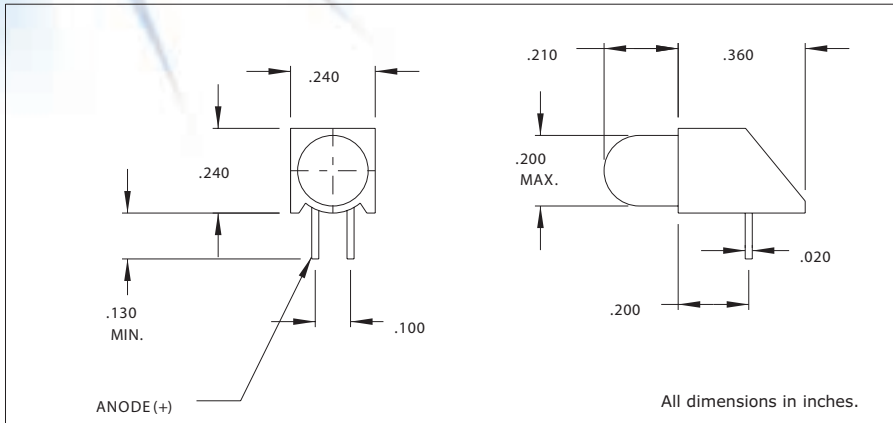
Circuit Board Indicators

CML LED assemblies are available in both right angle and vertical package and utilize the CML IT line of high quality LEDs. Parts range in voltage from 2V to 12V and in current from 2mA to 20mA. The UL94V0 housings ensure proper LED alignment.



Part Number: 5300H6
Serial Number: 5300H
Emitted color: Blue
Lens color: Blue
Lum in min (mcd): 120
Lum in typ (mcd): 220
Rated current (mA): 30
Cont forward current max: 30
Fwd volts type: 3,8
Forward volt max.: 4,5
Reverse breakdown V: 5
Viewing angle (°): 30
Peak wave length (nm): 430
Housing type: UL94V-0
RoHS Status: Yes

5300 Series T-1 3/4 Right Angle LED Assembly
DESCRIPTION AND FEATURES



- Features**
- Block mounting height and spacing alignment saves assembly cost and time.
 - Full range of brightness.
 - Available with built-in resistor chip to eliminate the need for external resistor, operates off 5V or 12V supply.
 - TTL compatible
 - Standoffs prevent flux entrapment.
- Housing: Black Nylon, UL94V-O
- Alternate LEDs are also available in this package as a standard variation.

ELECTRO-OPTICAL CHARACTERISTICS AND RATINGS

Part Number	Color	Typ. Intensity (mcd)	Rated Current (mA)	Continuous Forward Current Max. (mA)	Forward Voltage Typ. (V)	Forward Voltage Max. (V)	Peak Forward Current @ 1ms-300pps (A)	Reverse Break-down Voltage Min. (V)	Peak Wavelength (nm)
5300E11	Red	6.5	10	20	2.0	3.0	60	3	650
5300E15	Green	10	10	25	3.1	3.0	60	3	563
5300E17	Yellow	6.3	10	20	2.1	3.0	60	3	585
5300H1	Red	6.3	10	60	2.0	3.0	1.0	5	650
5300H3	Amber	10	10	60	2.0	3.0	1.0	5	608
5300H5	Green	10	10	60	2.2	3.0	.09	5	563
5300H6	Blue	160	20	20	5.0	6.0	-	5	430
5300H7	Yellow	6.3	10	60	2.1	3.0	1.0	5	585
5308H1	Red	68	20	60	2.1	3.0	1.0	5	650
5308H5	Green	100	20	60	2.2	3.0	.09	5	563
5308H7	Yellow	160	20	60	2.2	3.0	1.0	5	585
5300H1LC	Red	2.3	2	7	1.8	2.2	.007	5	635
5300H5LC	Green	2.3	2	7	1.8	2.2	.007	5	565
5300H7LC	Yellow	2.1	2	7	1.9	2.7	.007	5	585
5302H1-5V	Red	8	10	15	5	7.5	-	5	635
5302H3-5V	Amber	8	10	15	5	7.5	-	5	583
5302H5-5V	Green	8	12	15	5	7.5	-	5	565
5302H1-12V	Red	8	12	20	12.0	15.0	-	5	635
5302H3-12V	Amber	8	12	20	12.0	15.0	-	5	583
5302H5-12V	Green	8	12	20	12.0	15.0	-	5	565